



This part should only be installed by personnel who have the necessary skill, training and tools to do the job correctly and safely. Incorrect installation can result in personal injury, vehicle damage and / or loss of vehicle control.

Read instructions completely before beginning installation.

Required Tools:

- Two - 1/4" pin style spanners
- Welding equipment

Using the Shaft Extender:

The shaft extender consists of three pieces; two threaded end adapters and a cut-to-fit section of tubing that must be welded together after cutting the tube section to the desired length. One end adapter threads into the shaft end of the JounceShock and the other end adapter accepts one of the threaded shaft ends. **FIGURE 1** shows the JounceShock utilizing the Shaft Extender, along with a Cupped Foot (#25601) and 15° Flex Mount (#25501). The two end adapters can be welded together without the tube section for a minimum extension length of 1", or the tubing can be cut to length for up to 7" of total extension.

There are several reasons for using the shaft extender. The extender can facilitate alternate placement of the JounceShock higher in the chassis, where the diameter of the JounceShock limits placement among the suspension components. Another common use occurs when a lift kit is installed, and the shaft extender can be used to accommodate the change in suspension height with respect to the frame or existing JounceShock mount. In cases where towing is involved, a short extension to your existing JounceShock system allows a quick change to provide more secondary overload spring interaction by engaging the JounceShocks earlier in the suspension travel.

In applications where potential side loading of the JounceShocks can be high, care should be taken to limit the extension lengths in order to avoid damaging the system or mounting structure. Check the new geometry of the system when using an extender. It is the responsibility of the installer to insure the proper use of the Shaft Extenders.

Installation Process:

1. Determine length of extension needed.
2. Subtract 1 inch from desired extension length and cut tube to this length (Cut tube length + 1" = Total extension length).
3. Weld shaft extender tube to both threaded end adapters (**FIGURE 1**) ensuring parts are square (two end adapters may be welded together without tube section for minimum 1 inch extension).
4. Paint welded assembly for corrosion protection. Note that paint on threads may cause difficulty when installing.
5. Apply small dab of medium strength thread locker (Blue Loctite) to the shaft end threads of JounceShock. (Follow all Loctite cure time instructions.) Install Shaft Extender into JounceShock unit and tighten using 1/4" pin style spanner on JounceShock.
6. Install desired shaft end foot onto Shaft Extender using pin wrench.
7. Double check alignment and interface conditions at all suspension travel and articulation possibilities.

For more information refer to the Technical Information section of our website www.lightracing.com.

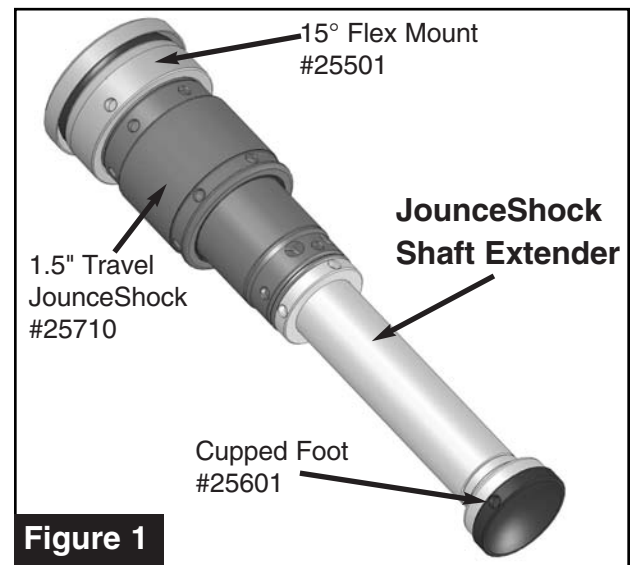
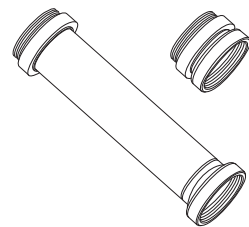
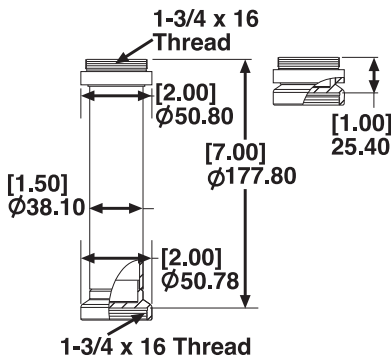


Figure 1



Material: Carbon Steel - Cut and Weld to Length

There is no warranty stated or implied due to the inability to monitor the part's modification, installation, and use, except that Specialty Products Company warrants its products to be free from defects in material and workmanship for 90 days after purchase under normal use. In that case, parts returned must be determined by Specialty Products to be defective and Specialty Products's obligations under that warranty are solely limited to repairing or replacing, at its option, any part proven defective.

Final determination of the suitability of the parts for use contemplated by the buyer is the sole responsibility of the buyer. Specialty Products Company shall not be liable for any special, direct, indirect, incidental, or consequential damages that might be claimed as a result of the failure of any part, including claims for delay, loss of profits or labor. Specialty Products Company shall not be liable for any damage or injury to persons or property resulting from improper installation or misuse of any part subject to this warranty. There are no other warranties expressed or implied extending beyond those set forth above.



Specialty Products Company®

P.O. Box 923 • Longmont, CO 80502 • (303) 772-2103 • Fax: (303) 772-1918 • www.specprod.com • www.lightracing.com • Email: info@specprod.com

Toll Free Technical Hot Line: 1-800-525-6505

©2006 Niwot Corp. dba Specialty Products Co.® • Printed in U.S.A. • Form No. 986031 • Rev. 8/06