



**Instruction Sheet
Target Plate**

This part should only be installed by personnel who have the necessary skill, training and tools to do the job correctly and safely. Incorrect installation can result in personal injury, vehicle damage and / or loss of vehicle control.

Read instructions completely before beginning installation.

Required Tools:

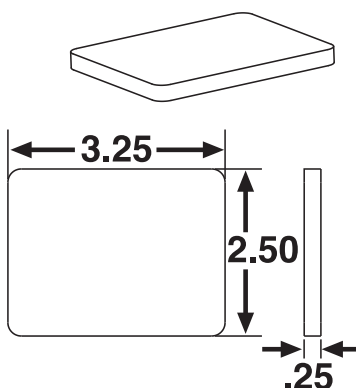
- Welding equipment

Using the Target Plate:

The Target Plate is a convenient size, ready to use, pre-cut carbon steel plate that can be used in many custom JounceShock installations. This Target Plate is generally used together with the Domed Foot (#25602) in fixed mount applications. The Target Plate must be positioned and welded such that it makes square contact with the JounceShock and is supported/gusseted directly behind the part the JounceShock contacts.

It is up to the installer/fabricator to ensure that the structure that the plate is mounted to is strong enough to carry the loads of the JounceShock. Make sure to check for proper alignment and placement for all potential contact possibilities throughout the range of travel of the suspension.

For more information on determining the placement of the JounceShock refer to the Technical Information section of our website www.lightracing.com.



Material: Carbon Steel

There is no warranty stated or implied due to the inability to monitor the part's modification, installation, and use, except that Specialty Products Company warrants its products to be free from defects in material and workmanship for 90 days after purchase under normal use. In that case, parts returned must be determined by Specialty Products to be defective and Specialty Products's obligations under that warranty are solely limited to repairing or replacing, at its option, any part proven defective.

Final determination of the suitability of the parts for use contemplated by the buyer is the sole responsibility of the buyer. Specialty Products Company shall not be liable for any special, direct, indirect, incidental, or consequential damages that might be claimed as a result of the failure of any part, including claims for delay, loss of profits or labor. Specialty Products Company shall not be liable for any damage or injury to persons or property resulting from improper installation or misuse of any part subject to this warranty. There are no other warranties expressed or implied extending beyond those set forth above.



Specialty Products Company®

P.O. Box 923 • Longmont, CO 80502 • (303) 772-2103 • Fax: (303) 772-1918
www.specprod.com • www.spcperformance.com • Email: info@specprod.com
Toll Free Technical Hot Line: 1-800-525-6505