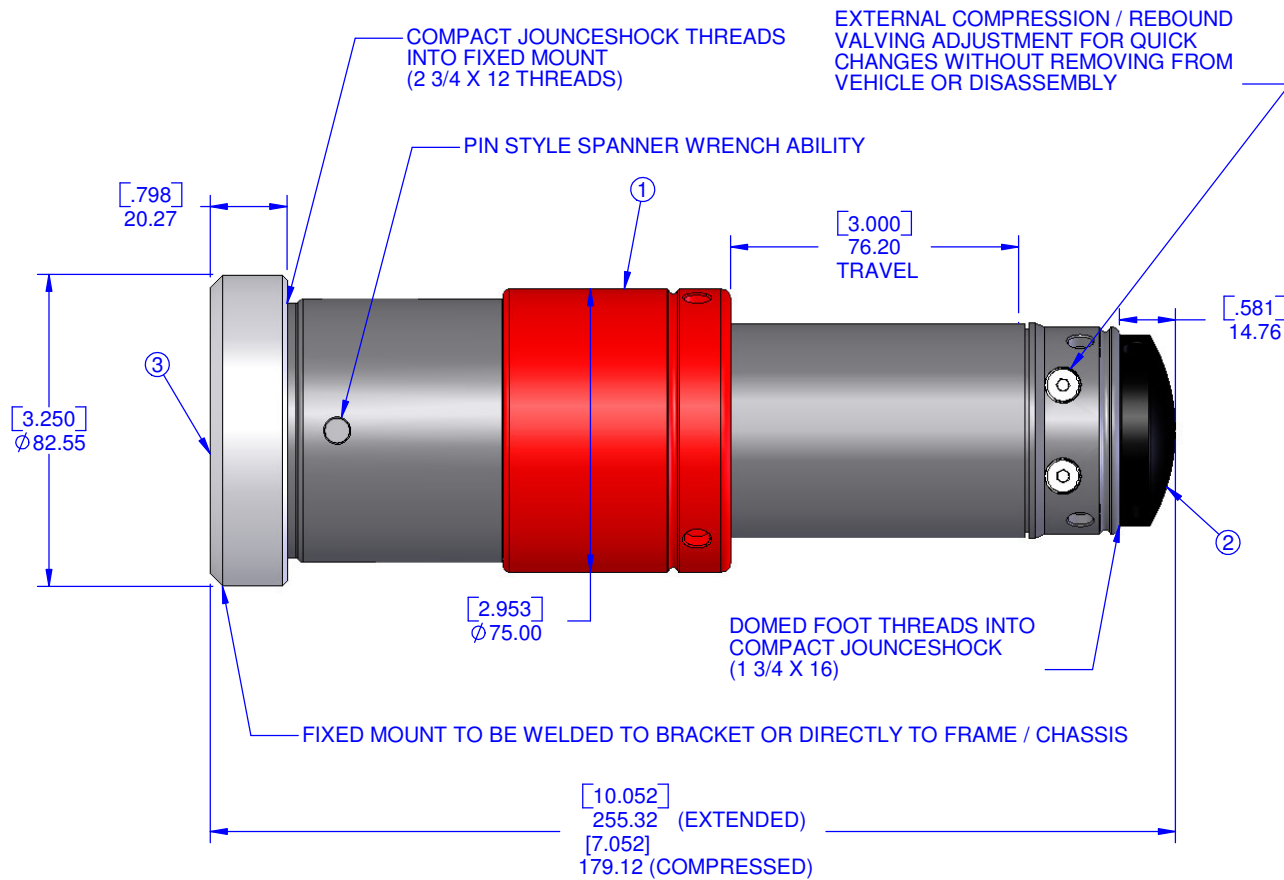


ITEM NO.	FIXED WITH CONVEX/QTY	PART NUMBER	DESCRIPTION
1	1	257152	CJS, 3.0" TRAVEL
2	1	256021	DOMED FOOT
3	1	255051	CYLINDER FIXED MOUNT



FOR ILLUSTRATIVE PURPOSES ONLY


Specialty Products Company™ 

 Longmont, CO 80504
 www.lightracing.com • 888-462-8054

COMPACT JOUNCESHOCK, FIXED END MOUNT, AND DOMED FOOT

DRAWN	CBL	CHECKED	MRL	DATE	05/16/06
SCALE	1:2	SIZE	A	DO NOT SCALE DRAWING	REV N/A SHEET 1 OF 1

THIS DOCUMENT CONTAINS PROPRIETARY INFORMATION WHICH SHALL NOT BE REPRODUCED, TRANSFERRED TO OTHER DOCUMENTS, DISCLOSED TO OTHERS, USED FOR MANUFACTURING OR ANY OTHER PURPOSE WITHOUT PRIOR WRITTEN PERMISSION FROM SPECIALTY PRODUCTS COMPANY.

UNLESS OTHERWISE SPECIFIED: DIMENSIONS AND TOLERANCES ARE IN MILLIMETERS AND DECIMAL DEGREES. CONFORMS TO ASME Y14.5M 1994

X ± 1.5,
X.X ±0.70,
X.XX ±0.25,
ANGLES ±2.0°